

Auto Sliding Door (Heavy Duty)

Smartpower®



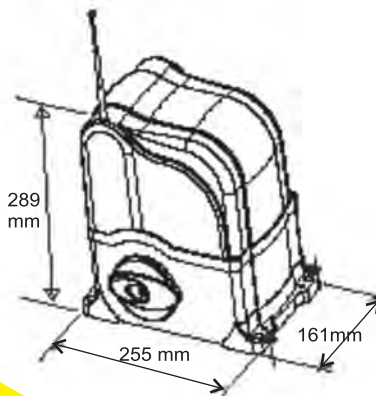
Auto Sliding gates Motor



Rack & Pinion



Flashing Light



Remote

Applications

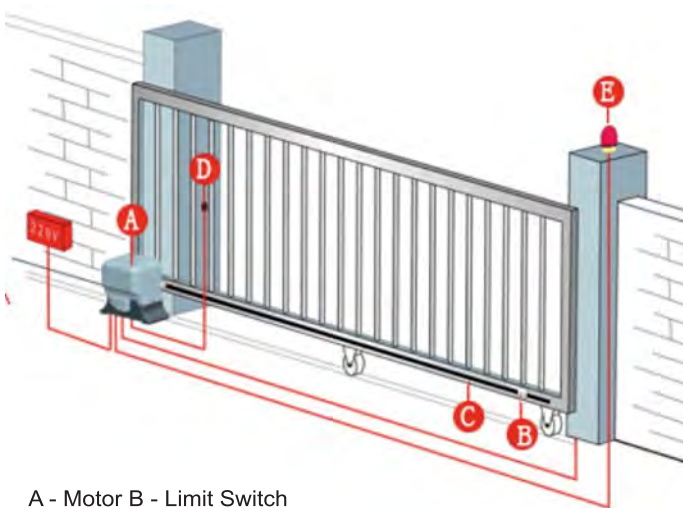
Heavy duty Sliding Doors used in Apartments / Industry / Malls

Features

German Designed Heavy Duty Motor / Rack & Pinion / Carbon Steel Gears / Auto Rebound Technology/ Limit Switch/ Wireless Control Panel/ Remote & Lock Support

**OIL BATH Gear Box
Soft Start & Soft Stop**

**4000 Kg / 1 P
Motor Available**



A - Motor B - Limit Switch
C - Rack D - Clutch Key
E - Flashing Light

Technical Specifications

Model	SP ACM ID - 1800	SP ACM ID - 2500
AC Input Voltage	230 Volt / 50 Hz	
AC Input Power	370 W	1000 W
Speed Of Open	15 Meter / min	
Motor	Gear Motor	
Gate Weight	1800 Kg	2500 Kg
Output Power	20 Nm	45 Nm
Manual Operation	By Clutch key on Power Fail	
Standrad	Remote Controller x 2 no.s & 2 Clutch Keys for Manual Operation, Mounting base plates etc With User Manual	
Accessories	Digital code lock / 415 Mhz / < 30 Meter	
Remote Control	Digital code lock / 415 Mhz / < 30 Meter	
Soft Start	No	Yes
Gear Box Lubrication	Grease	OIL BATH
Controller	Microprocessor Based Controller	
Optional	Flashing Light / Photo Cell / Acces Control	